

Acid Proof Resistance Sensor W-E-x-HST-CLAMP/51-30/1000-4-A-yy-HD

Features

- HD = hygienic design, EHEDG certified
- temperature sensor for hygienic installations
- all parts made of acid proof steel
- temperature range -200...+550 °C
- Pt100 accuracy class A as a standard, more accurate on request
- mounting with clamp connection
- replaceable sensing element, MI-construction, vibration proof
- tailored solutions according to specific needs.

Typical Applications

- Food industry
- Pharmaceutical industry
- Chemical industry
- Process industry
- Energy and power plant technology
- Machinery, plant and vessel construction.



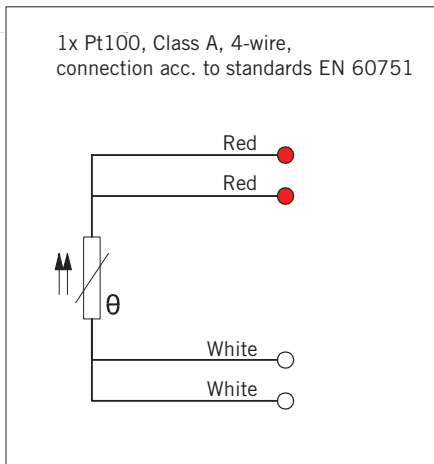
Technical data

Thermowell material	AISI 316L, max. temp. +550 °C, temporarily +600 °C
Tolerances Pt100 (EN-60751)	A, tolerance +/- 0,15 + 0,002 x t, operating temperature -100...+450 °C
Temperature range Pt100	-200...+550 °C
Approvals	EHEDG Type EL Class I certified, GOST-R, METROLOGICAL PATTERN APPROVAL
Quality certificate	ISO 9001:2008 issued by DNV
IP-class	IP65 protection class, IP68 on request



Acid Proof Resistance Sensor W-E-x-HST-CLAMP/51-30/1000-4-A-yy-HD

Pt100 Connections



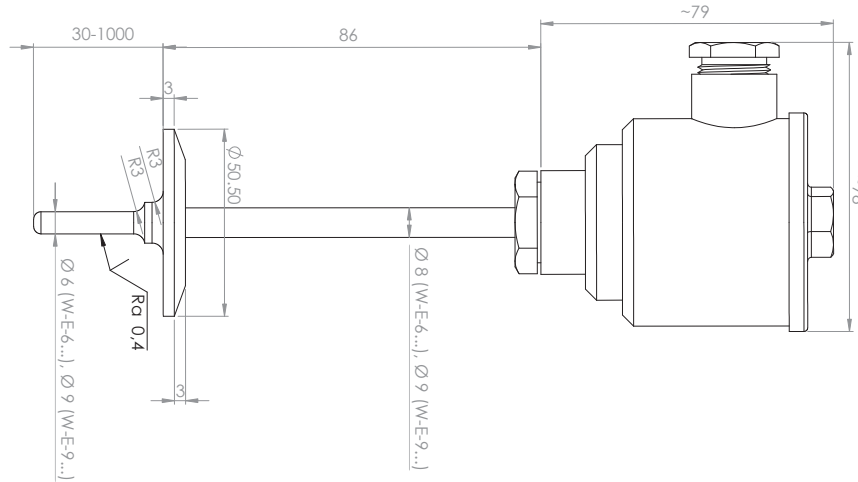
Installation examples



Installation according to instructions and mounted in EHEDG certified process connections.

Acid Proof Resistance Sensor W-E-x-HST-CLAMP/51-30/1000-4-A-yy-HD

Drawing

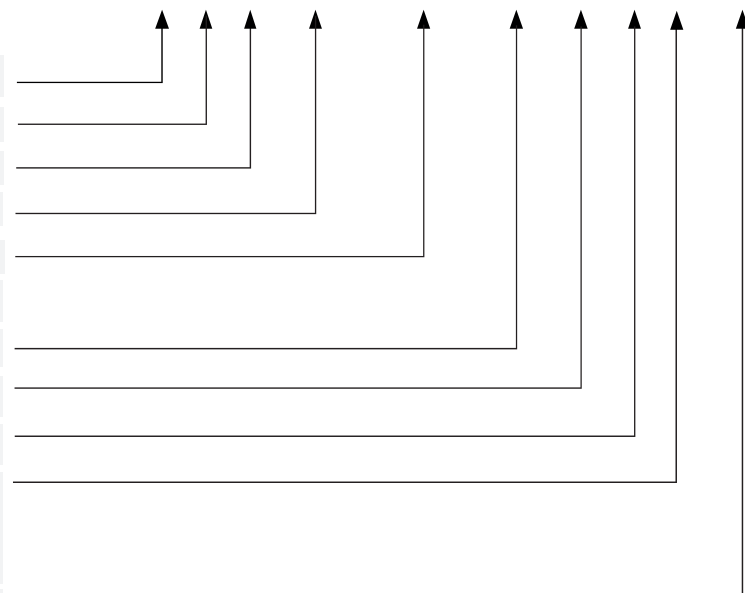


Product code key

Example code: W-E-6-HST-CLAMP/51-30-4-A-TR-HD

Hygienic Well + Pt100 Sensing Element

W	= Pt100 resistance sensor
E	= sensor for hygiene applications
x	= diameter: 6 or 9 mm
HST	= acid proof connection head
CLAMP	= thermowell with clamp
51	= clamp diameter 50.50 mm
30	= immersion depth: range 30...1000 mm
4	= number of Pt100 connection wires
A	= Pt100 tolerance class A
yy	= TR or CB TR = free wires for transmitter CB = with ceramic terminal block
HD	= hygienic design, EHEDG certified



Acid Proof Resistance Sensor W-E-x-HST-CLAMP/51-30/1000-4-A-yy-HD

Accessories

The hygienic design temperature sensor types W-E-x-HST-CLAMP/51-30/1000-4-A-yy-HD are EHEDG certified only when mounted on EHEDG certified process connections. For mounting according to the certificate we offer these parts below as extra accessories. Please use the given product numbers/types when ordering.

Cable gland: SKINTOP® HYGIENIC

Body material: acid proof stainless steel V4A (1.4404 / 316L),
sealing material: special elastomer, IP 68 - 10 bar / IP 69K,
thread: M20x1.5, for cable diameters Ø 9...12 mm,
EHEDG certified; Type EL, Class 1 AUX.

SKS product number/type designation:
1255997 SKINTOP® HYGIENIC M20x1.5



Process entry gasket: Tri-Clamp Seal, Art.no: VOE-2032

Outer ring: stainless steel 304 (1.4301),
inner ring: EPDM or silicon or Viton (FKM), FDA-approved,
according to ISO-2852 (304),
size 1,5", Ø 50,5/35,6 mm, 22 g,
EHEDG certified; Type EL, Class 1.

SKS product number/type designation:
1256916 TRI-CLAMP SEAL 1,5"



Process entry ferrule: Tri-Clamp Ferrule 1,5", Art.No: VOE-2002

Flange material: stainless steel 316 (1.4404),
according to ISO-2853:1993 E mat: 316,
size 1,5", Ø 50,5/35,6 mm, 60 g,
EHEDG certified; Type EL, Class 1.

SKS product number/type designation:
1256917 TRI-CLAMP FERRULE 1,5"



Process coupling: Single Hinge Clamp 1" & 1,5", Art.no: 211053

Flange material: stainless steel 304
size 1" & 1,5"

SKS product number/type designation:
1256918 SINGLE HINGE CLAMP 1"&1,5"



Definition of the certification type

The W-E-x-HST-CLAMP/51-30/1000-4-A-yy-HD sensor types for food applications are certified for use in the food product zone by the European Hygienic Engineering & Design Group (EHEDG) with the certification type: Type EL, Class I.

- Type EL = Equipment cleaned with Liquids
- EL Class I = Closed equipment, wet cleaned-in-place (CIP) without dismantling.

For more details please visit: ehedg.org